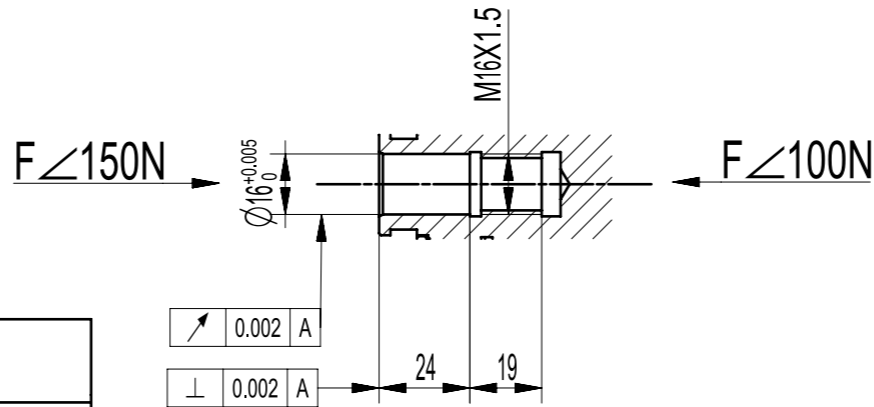
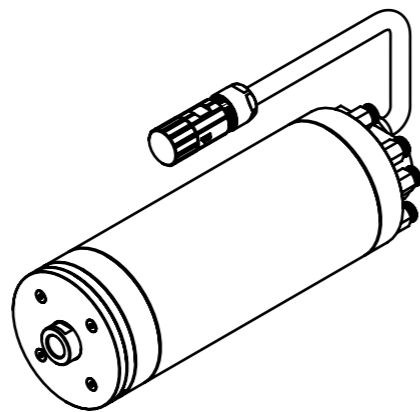


SECTION L-L

Power Connector			
1	phase U	A	PT1000(motor)
2	phase V	B	PT1000(motor)
3	phase W	C	PT100(bearing)
⊖	GND	D	PT100(bearing)



connection discription

No.	function	interface	discription
1	water outlet	G1/4	hose diameter 8X6
2	oil air inlet	G1/8	hose diameter 6X4,1-2bar
3	oil air inlet	G1/8	hose diameter 6X4,1-2bar
4	air seal	G1/8	hose diameter 6X4,1bar
5	exhaust oil	G1/4	hose diameter 8X6
6	water inlet	G1/4	hose diameter 8X6
7	Power connector	M23	8 pin connector,as drawing

spindle specification

speed	51000	60000	r/min	radial rigidity (N/μm)	65
Power(S1)	7.5	7.5	kW	axial rigidity(N/μm)	58
Power(S6,40%)	9	9	kW	tilt angle(°)	±90
Voltage	350	350	V		
Current(S1)	21	19	A		
Current(S6,40%)	24	22	kW		
frequency	1700	2000	Hz		
motor type	Asynchronous				
lubrication	oil-air				
lubricant	ISO VG22				
gas filtering requirements	Solids:5 micron,residual oil content:0.5mg/m ³				
spindle coolant	Rust resistant cooling water, flow rate 3L/min@25°C				

未注尺寸公差			00	主轴外形图		1				
注:孔取(+),轴取(-)			件号	名称	数量	材料	硬度	备注		
尺寸/mm										
大于	至	公差								
-	6	±0.05								
6	30	±0.10								
30	120	±0.15								
120	250	±0.25								
250	500	±0.35								
500	1000	±0.45								
1000	1600	±0.55								
1600	2000	±0.65	更改号	签字	日期	批	准			

LYJSD

100MD60Y9

设计	比例	重量
校对	1:2	
标准化审核		
工艺会签		
审核		
批准		