

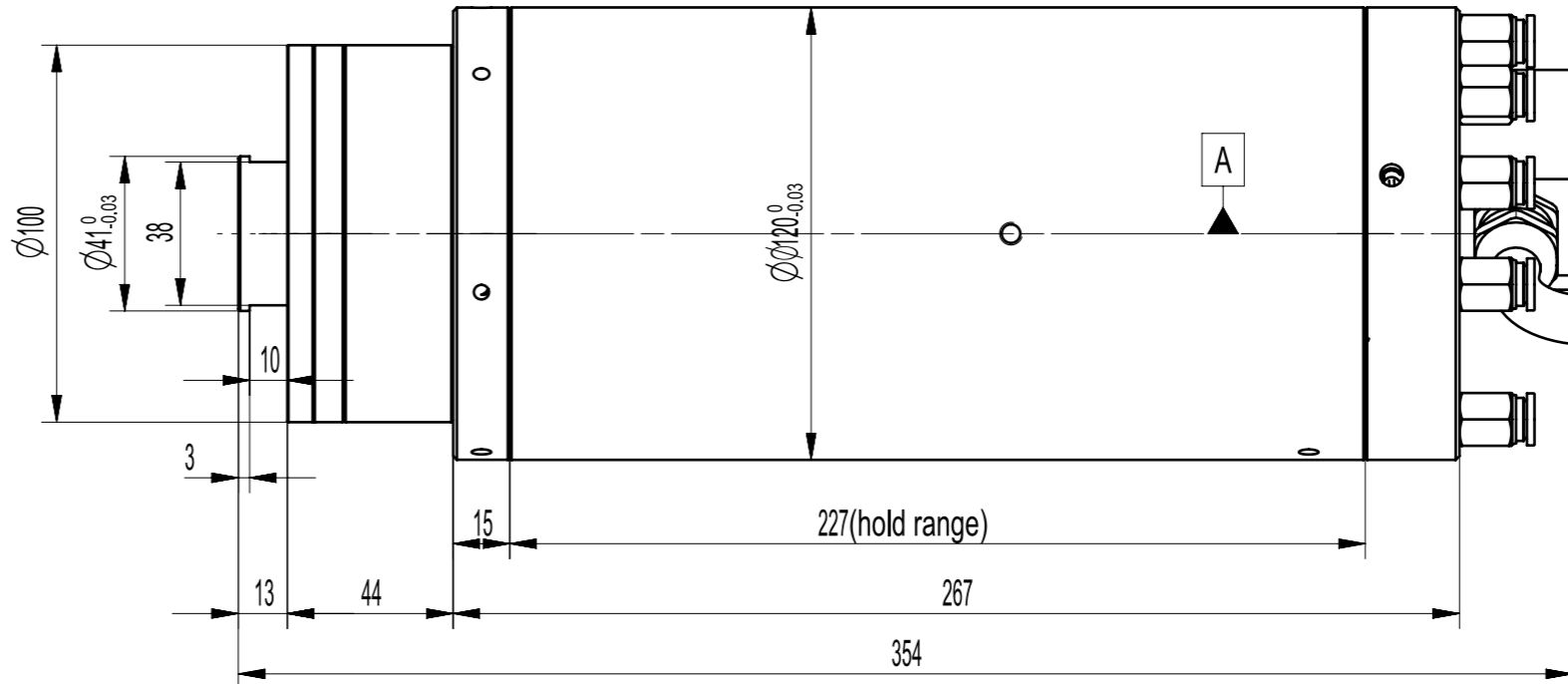
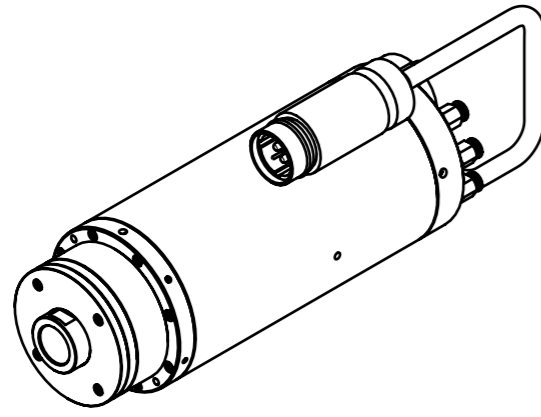
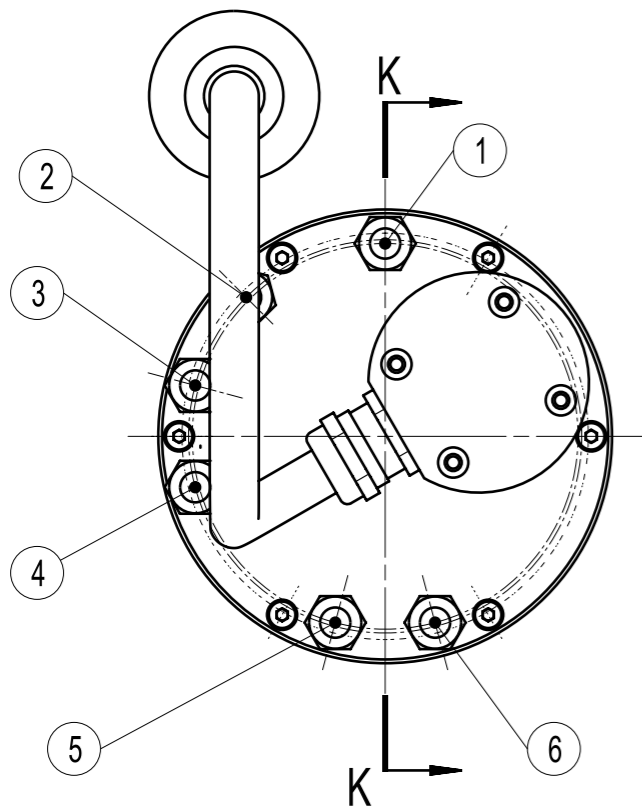
1 2 3 4 5 6

A

B

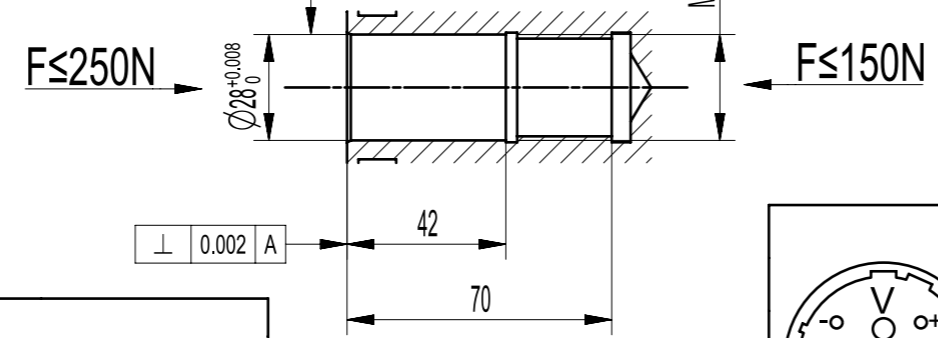
C

D

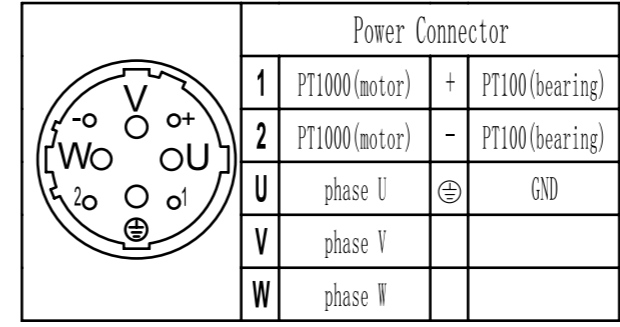


0.002 A

SECTION K-K



0.002 A



Connection discription			
No.	Function	Interface	Discription
1	Water outlet	G1/4	hose diameter 8x6
2	Oil air inlet	G1/4	hose diameter 6x4,1-2bar
3	Oil air inlet	G1/8	hose diameter 6x4,1-2bar
4	air seal	G1/8	hose diameter 6x4,1bar
5	exhaust oil	G1/4	hose diameter 8x6
6	Water inlet	G1/4	hose diameter 8x6
7	Power connection	M40	8PIN connector

Spindle Specification			
Speed	30000	45000	r/min
Power(S1)	11	11	kW
Power(S6,25%)	15	15	kW
Voltage	350	350	V
Current(S1)	26	24	A
Current(S6,25%)	33	33	kW
Frequency	1000	1500	Hz
Motor type	Asynchronous		
Lubrication	Oil air		
Lubricant	ISO VG22		
Quality of compressed air	Solids:5 micron,residual oil content:0.5mg/m <sup>3</sup>		
Spindle coolant	Rust resistant cooling water,flow rate 3L/min@25°C		

未注尺寸公差		00	主轴外形图		1					
注:孔取(+),轴取(-)		件号	名称		数量	材料		硬度		
尺寸/mm										
大于	至	公差								
-	6	±0.05								
6	30	±0.10								
30	120	±0.15								
120	250	±0.25								
250	500	±0.35								
500	1000	±0.45								
1000	1600	±0.55								
1600	2000	±0.65								
更改号	签字	日期								

LYJSD 120MD45Y15/S

设计		比例		重量	
校对		1:2			
标准化审核					
工艺会签					
审核					
批准					

1 2 3 4 5 A3