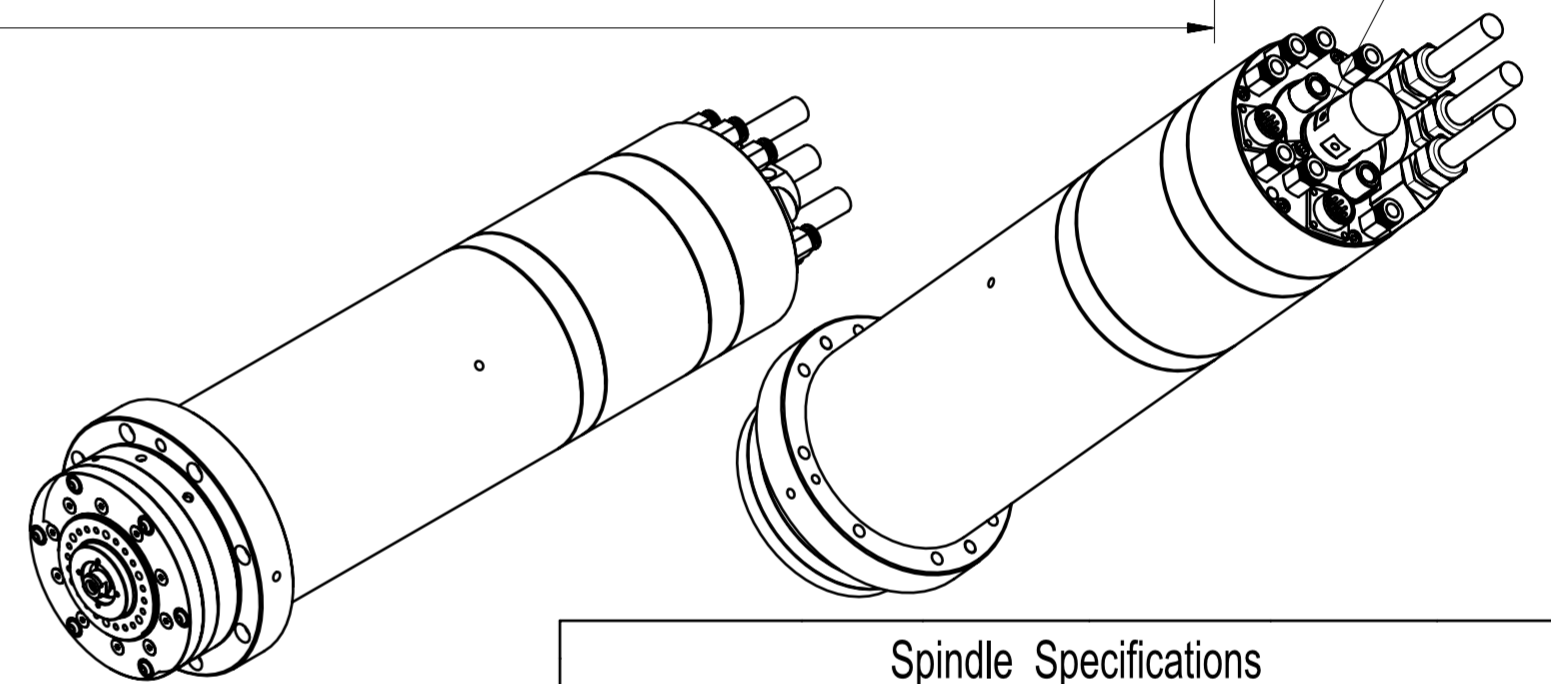
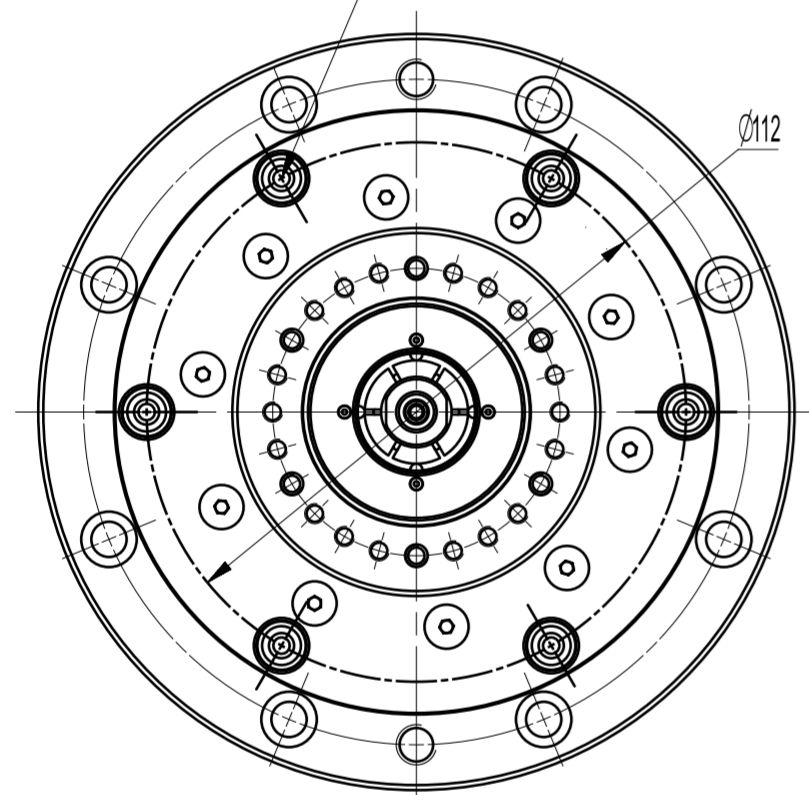
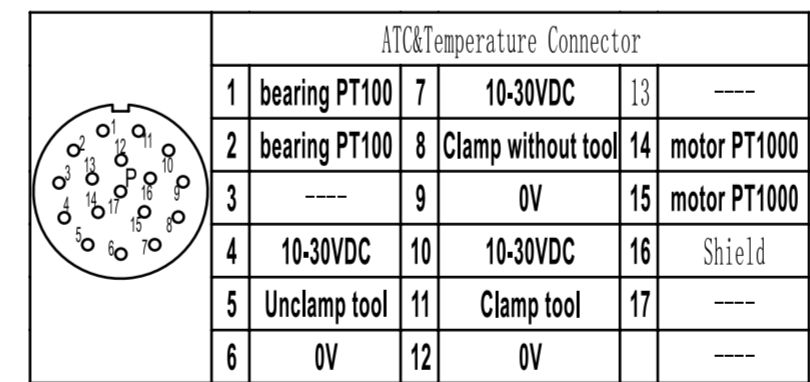
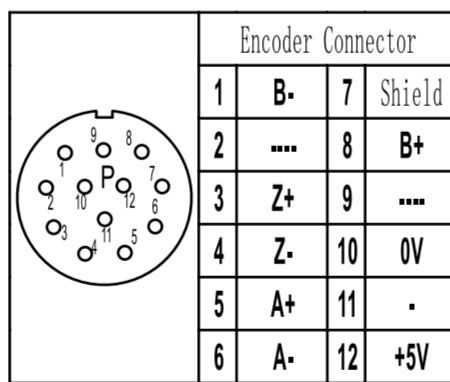


6-coolant nozzle with M4



Label discription

No.	fuction	interface	describe
A1	oil air inlet	G1/8	with piping fitting,hose \varnothing 6X4,front bearing,1.5bar
P2	air seal	G1/8	with piping fitting,hose \varnothing 6X4,for bearing
W3	Water inlet	G1/8	with piping fitting,hose \varnothing 8X6,for motor cooling
T4	unclamping tool	G1/8	oil pressure:60-80bar.Hydraulic hoses, not hard hoses
W5	Water outlet	G1/8	with piping fitting,hose \varnothing 8X6,for motor cooling
E6	Encoder connector	M23	12 pin connection,increment encoder,z=128,m=0.4,1Vpp output
G8	GND	M8	
A9	oil air inlet	G1/8	with piping fitting,hose \varnothing 6X4,rear bearing,1.5bar
TS10	ATC&Temp connector	M23	17 pin connection,PNP type Proximity switch with 3 wire,3 position.including motor temperature and front bearing temperature.
EX11	exhaust oil air	G1/4	with piping fitting,hose \varnothing 8X6
T12	clamping tool	G1/8	gas pressure:5bar.Hydraulic hoses, not hard hoses
P13	POWER	M20X1.5	U,16mm ² cable,length:5m
P14	POWER	M20X1.5	V,16mm ² cable,length:5m
P15	POWER	M20X1.5	W,16mm ² cable,length:5m



Coolant nozzle&rotary unit interface

No.	fuction	interface	describe
C7	Coolant inlet for nozzle	G1/4	with piping fitting,hose \varnothing 8X6,for coolant nozzle,0.5MPa
UI16	cleaning air/coolant inlet	G1/8	max coolant pressure 5MPa,max air pressure 5bar while changing tool
L17	leakage outlet	M7X1	leakage for rotary unit

Spindle Specifications

	15000	42000	r/min
SPEED	15000	42000	r/min
POWER	17	17	kW
Duty type	S1	S6,40%,2Min	S1
Voltage	175	184	350
current	67	83	43
frequency	500	500	1400
torque	10.8	13.4	3.9
Voltage constant	10.3		Vrpm/krpm
motor type	synchronous motor		Tool system
lubricant	oil air		Front seal
Operating position	horizontal to vertical		Rotation
ATC cylinder	hydraulic pressure unclamp 60-80bar,air pressure clamp 5bar		
encoder	Z=128,m=0.4,1Vpp output		
spindle coolant	Water,5L/min@25°C		

未注尺寸公差	00	主轴外形图		1				
注:孔取(+),轴取(-)	件号	名称	数量	材料	硬度	备注		
尺寸/mm								
大于	至	公差						
-	6	±0.05						
6	30	±0.10						
30	120	±0.15						
120	250	±0.25						
250	500	±0.35						
500	1000	±0.45						
1000	1600	±0.55						
1600	2000	±0.65	更改号	签字	日期	批准		

LYJSD 120XDJ42Q17

比例 质量(kg)
1:1.5 27