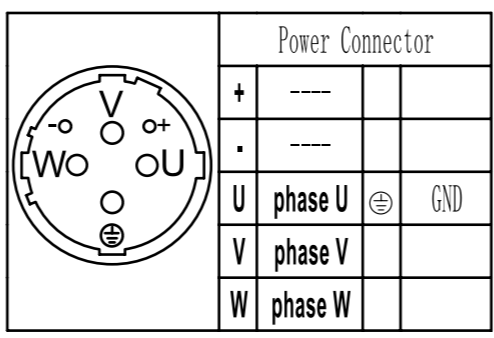
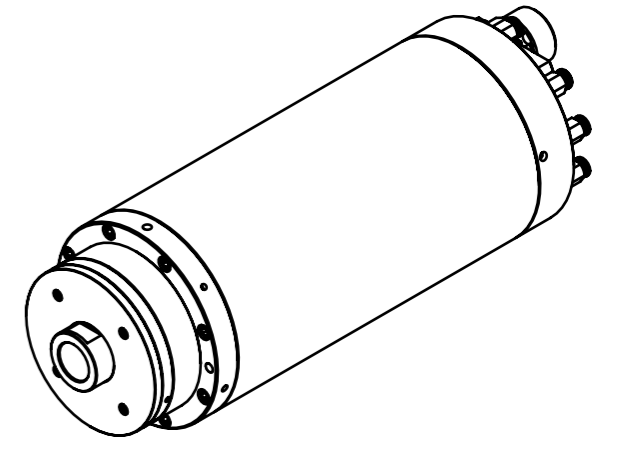
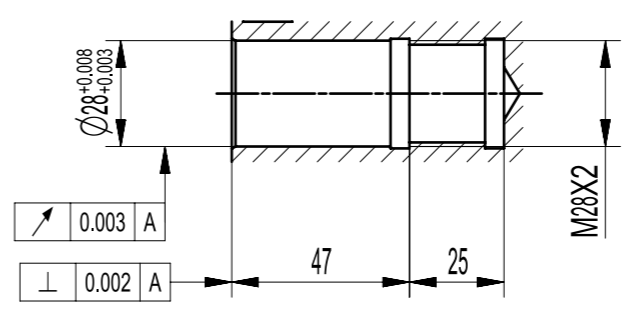


connection discription			
NO.	function	interface	discription
1	Water inlet	G1/4	equiped with piping fitting,hose size 8X6
2	oil air inlet	G1/8	equiped with piping fitting,hose size 6X4,1-1.5bar
3	oil air inlet	G1/8	equiped with piping fitting,hose size 6X4,1-1.5bar
4	air seal	G1/8	equiped with piping fitting,hose size 6X4,1bar
5	exhaust oil	G1/4	equiped with piping fitting,hose size 8X6
6	water inlet	G1/4	equiped with piping fitting,hose size 8X6
7	Power connector	M40	



SECTION H-H



Spindle specification

Speed	24000	35000	r/min
Power	32	32	kW
Voltage	380	380	V
Current	64	57	A
Frequency	800	1166.7	Hz
Motor Type	Induction motor		
Lubrication	oil-air		
Lubricant	ISO VG22		
Air quality	Solids:5 micron,residual oil content:0.5mg/m <sup>3</sup>		
Spindle coolant	Rust resistant cooling water, flow rate 5L/min@25°C		

未注尺寸公差		00	主轴外形图		1				
注：孔取(+),轴取(-)		件号	名称		数量	材料	硬度	备注	
尺寸/mm									
大于	至	公差							
-	6	±0.05							
6	30	±0.10							
30	120	±0.15							
120	250	±0.25							
250	500	±0.35							
500	1000	±0.45							
1000	1600	±0.55							
1600	2000	±0.65	更改号	签字	日期	批	准		

LYJSD		150MD35Y32	
设计		比例	重量
校对		1:2	
标准化审核			
工艺会签			
审核			
批准			