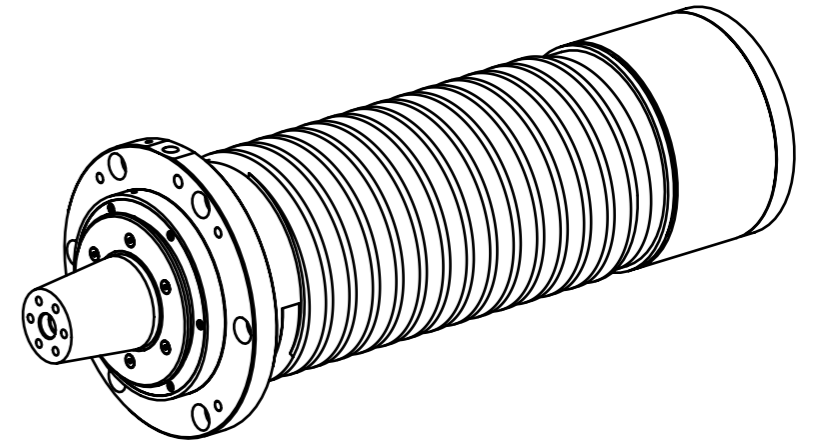
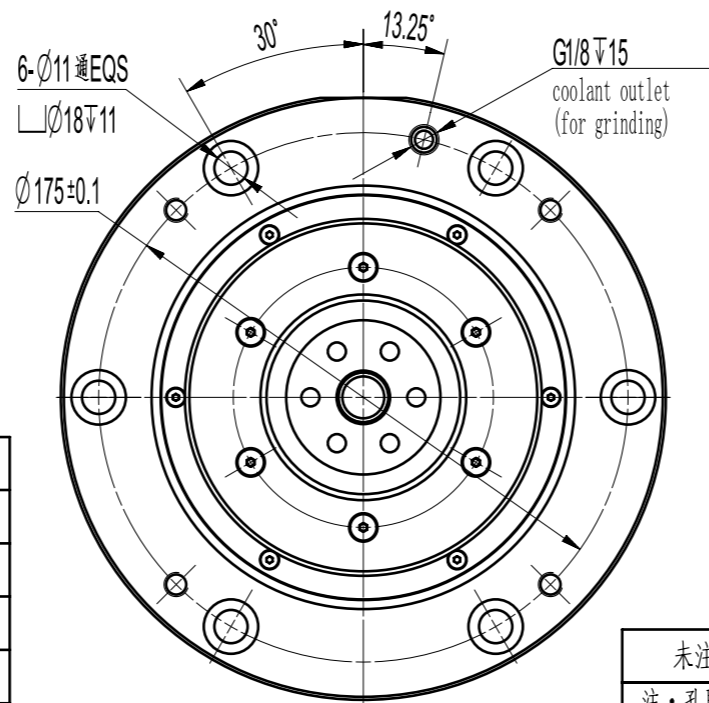


Power Connector			
1	PT1000(motor)	+	PT100(bearing)
2	PT1000(motor)	-	PT100(bearing)
U	phase U	\oplus	GND
V	phase V		
W	phase W		



Spindle specification				
Speed	3000	6000		r/min
Frequency	150	300		Hz
Power(S1)	19	19		kW
Torque(S1)	62	31		Nm
Voltage	320	380		V
Current(S1)	49	36		A
Motor Type	Induction	Rotation	Left & Right	
Lubricant	Grease	Front seal	Air protection flow, 1-1.5bar	
Operation direction	Vertical & Horizontal			
Air quality	Solids: 5 micron, residual oil content: 0.5mg/m ³			
Spindle coolant	Rust resistant cooling water, flow rate 5L/min@25°C			

未注尺寸公差		- 主轴确认图							
注: 孔取(+), 轴取(-)	件号	名称	数量	材料	硬度	备注			
Dimension/mm									
up	to	clearance							
-	6	± 0.05							
6	30	± 0.10							
30	120	± 0.15							
120	250	± 0.25							
250	500	± 0.35							
500	1000	± 0.45							
1000	1600	± 0.55							
1600	2000	± 0.65	更改号	签字	日期	批	准		

LYJSD 155MD06G19

比例 重量
1:2.5 -