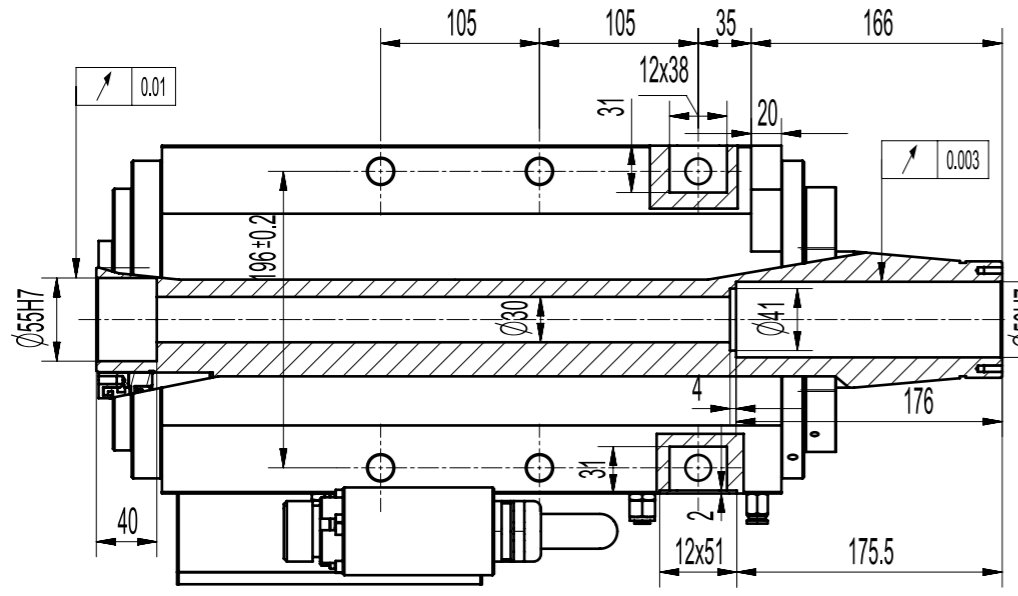
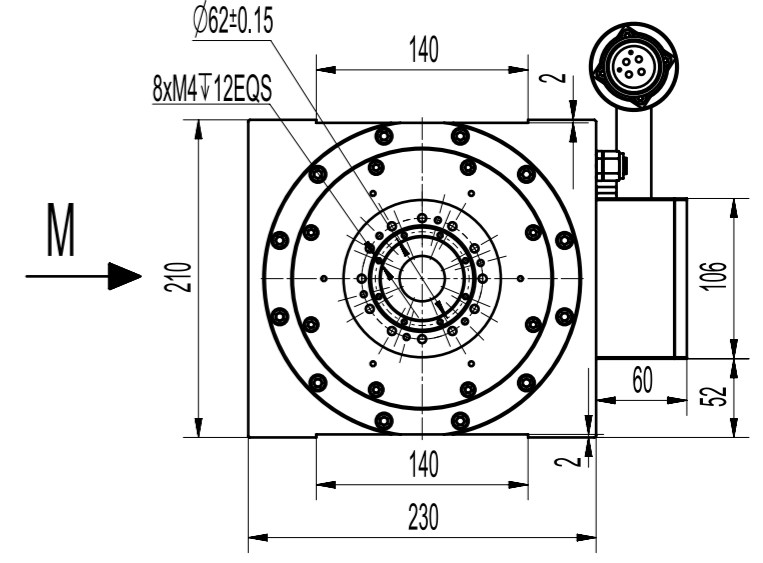
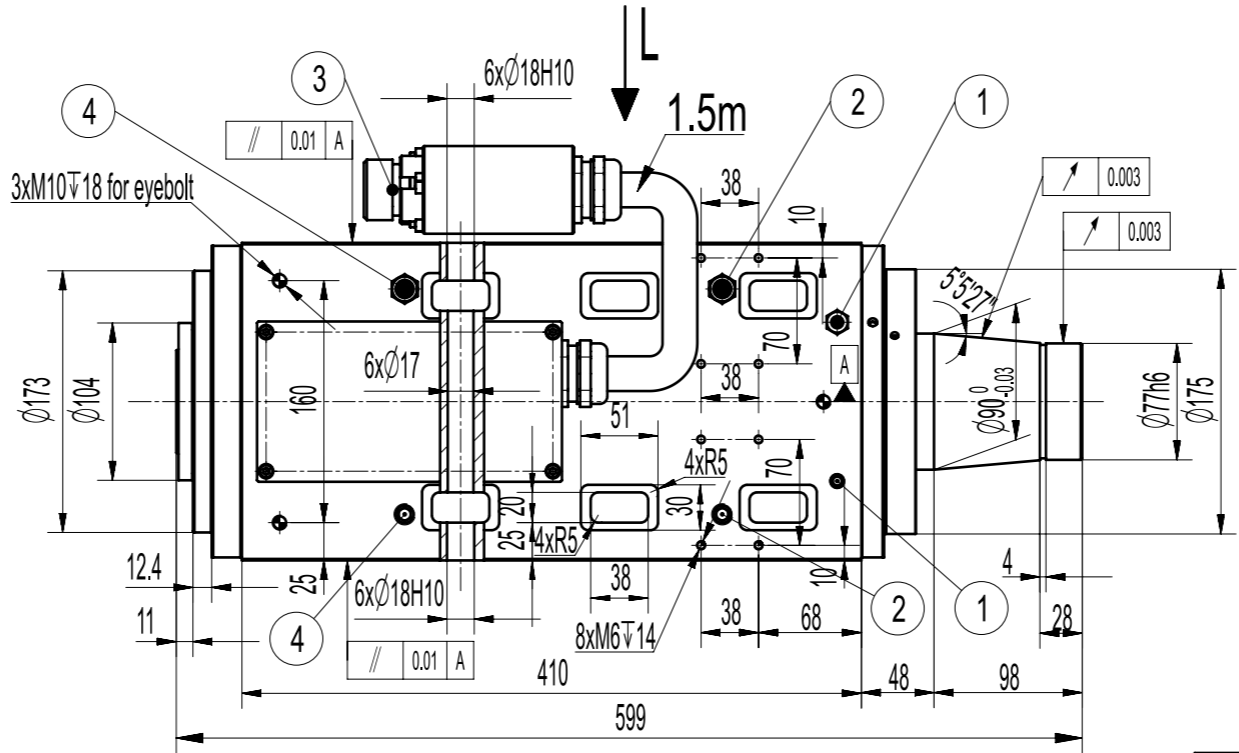
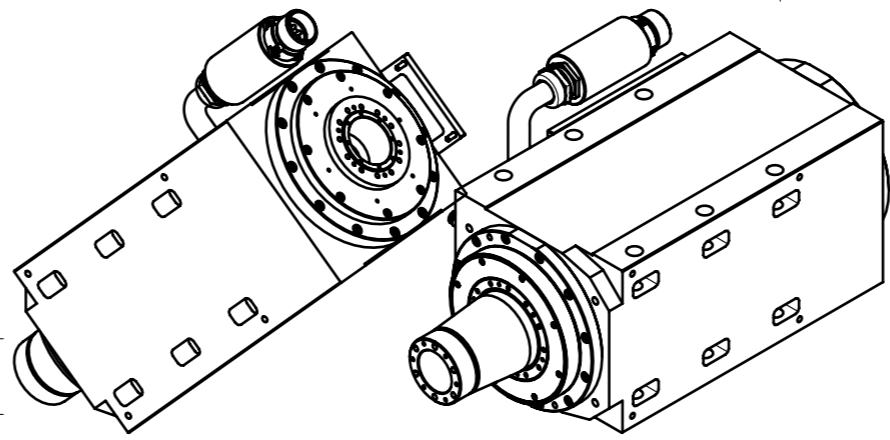


VIEW L



VIEW M

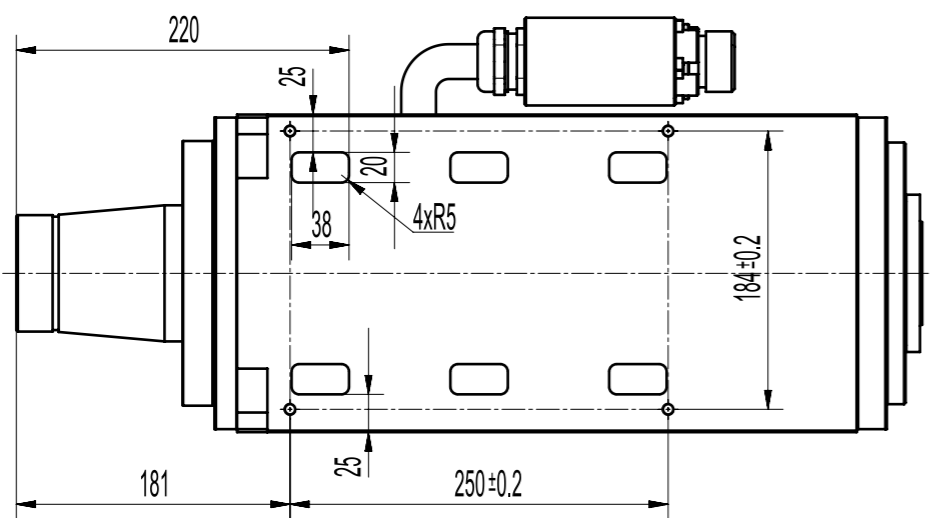
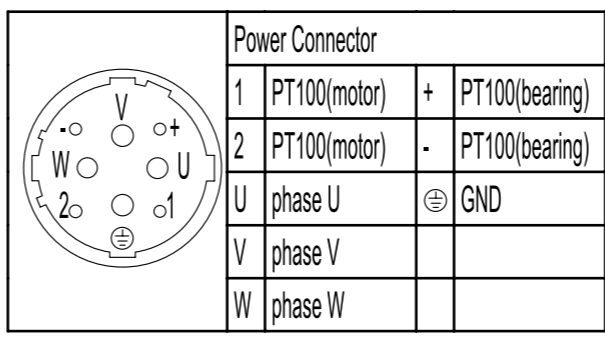


Spindle specification

|                 |   |      |           |        |
|-----------------|---|------|-----------|--------|
| SPEED           | 1860  | 3000 | 5000      | r/min  |
| Power           | 14  | 14   | 14        | kW     |
| Torque          | 72  | 45   | 27        | Nm     |
| Frequency       | 124   | 200  | 333.3     | Hz     |
| Voltage         | 240   | 280  | 380       | V      |
| Current         | 53  | 38   | 29        | A      |
| Motor type      | Asynchronous  |      | Lubricant | Grease |
| Spindle coolant | rust resistant cooling water, flow rate 8L/min@25°C |      |           |        |

Connection description

| NO. | Function        | Interface | description                               |
|-----|-----------------|-----------|---|
| 1   | Air seal        | G1/8      | hose diameter 6X4, 1bar                   |
| 2   | Water inlet     | G1/4      | hose diameter 10X8                        |
| 3   | Power connector | M40       | 8 pin connector, see Power connector view |
| 4   | Water outlet    | G1/4      | hose diameter 10X8                        |



CAP IS INCLUDED IN DELIVERY!!!

| 未注尺寸公差          |      | 00    | 主轴外形图 |    | 1  |    |    |  |  |
|-----------------|------|-------|-------|----|----|----|----|--|--|
| 注: 孔取(+), 轴取(-) |      | 件号    | 名称    | 数量 | 材料 | 硬度 | 备注 |  |  |
| 尺寸/mm           |      |       |       |    |    |    |    |  |  |
| 大于              | 至    | 公差    |       |    |    |    |    |  |  |
| -               | 6    | ±0.05 |       |    |    |    |    |  |  |
| 6               | 30   | ±0.10 |       |    |    |    |    |  |  |
| 30              | 120  | ±0.15 |       |    |    |    |    |  |  |
| 120             | 250  | ±0.25 |       |    |    |    |    |  |  |
| 250             | 500  | ±0.35 |       |    |    |    |    |  |  |
| 500             | 1000 | ±0.45 |       |    |    |    |    |  |  |
| 1000            | 1600 | ±0.55 |       |    |    |    |    |  |  |
| 1600            | 2000 | ±0.65 |       |    |    |    |    |  |  |
| 更改号             |      | 签字    | 日期    | 批  | 核  |    |    |  |  |

LYJSD

170MD05G14B

比例 重量  
1:5