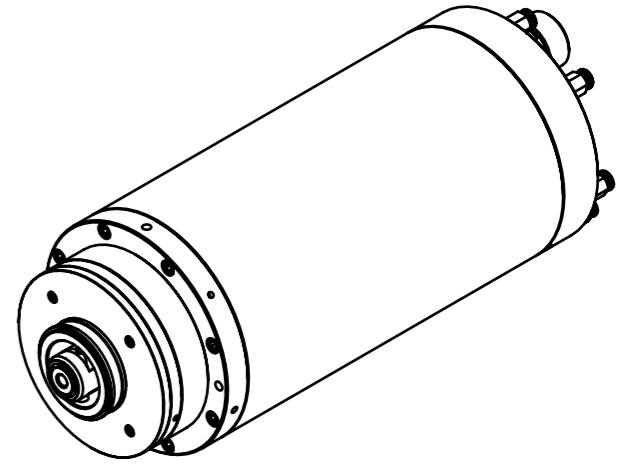
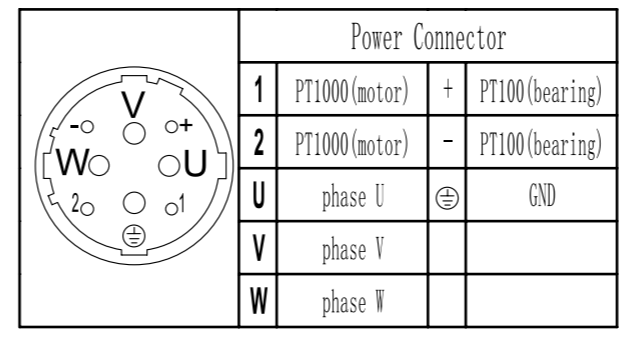


connection discription

NO.	function	interface	discription
1	Water inlet	G1/4	equiped with piping fitting,hose size 8X6
2	oil air inlet	G1/8	front bearinge,quiped with piping fitting,hose size 6X4,1-1.5bar
3	air seal	G1/8	equiped with piping fitting,hose size 6X4,1bar
4	oil air inlet	G1/8	rear bearinge,equiped with piping fitting,hose size 6X4,1-1.5bar
5	exhaust oil	G1/4	equiped with piping fitting,hose size 8X6
6	water inlet	G1/4	equiped with piping fitting,hose size 8X6
7	oil air inlet	G1/8	front bearinge,quiped with piping fitting,hose size 6X4,1-1.5bar
8	Power connector	M40	
9	oil air inlet	G1/8	rear bearinge,equiped with piping fitting,hose size 6X4,1-1.5bar



Spindle specification

Speed	9000	10800	15000	30000	r/min
Power	20	20	20	20	kW
Voltage	290	350	350	350	V
Current	57	52	47	49	A
Frequency	300	360	500	1000	Hz
Motor Type	Asynchronous motor				
Lubrication	oil-air				
Tool interface	HSK C63,Clamping frorce 18000N				
Lubricant	ISO VG22				
Air quality	Solids:5 micron,residual oil content:0.5mg/m ³				
Spindle coolant	Rust resistant cooling water, flow rate 5L/min@25°C				

未注尺寸公差	00	主轴外形图		1				
注:孔取(+),轴取(-)	件号	名称	数量	材料	硬度	备注		
尺寸/mm								
大于	至	公差						
-	6	±0.05						
6	30	±0.10						
30	120	±0.15						
120	250	±0.25						
250	500	±0.35						
500	1000	±0.45						
1000	1600	±0.55						
1600	2000	±0.65	更改号	签字	日期	批	准	

LYJSD 170MD30Y20/HC63

设计	校对	标准化审核	工艺会签	审核	批准	比例	重量
						1:2.5	