

ATC&Temperature Connector				Encoder Connector			
1	bearing PT100	7	10-30VDC	13	---	1	B-
2	bearing PT100	8	Clamp without tool	14	motor PT1000	2	---
3	---	9	0V	15	motor PT1000	3	Z+
4	10-30VDC	10	10-30VDC	16	Shield	4	Z-
5	Unclamp tool	11	Clamp tool	17	---	5	A+
6	0V	12	0V	---	---	6	A-

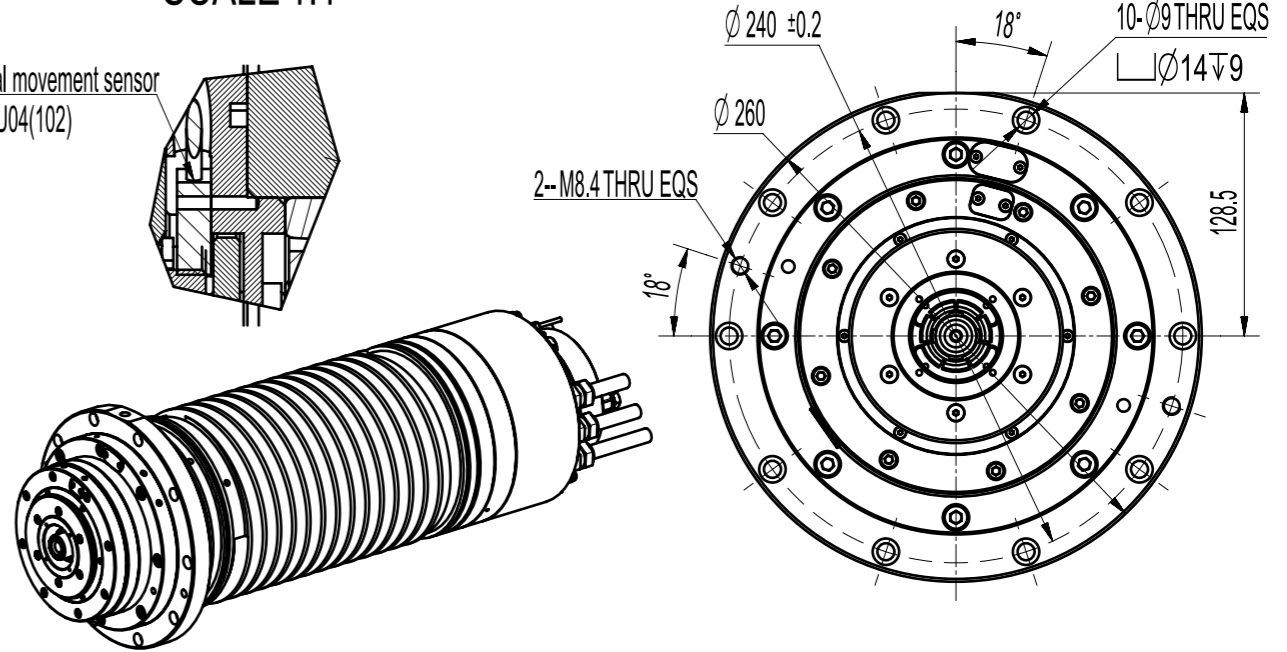
Spindle specification

Winding Connex	star-Y		delta-Δ		
SPEED	3000	12000	10000	24000	r/min
Frequency	100	400	333.3	800	Hz
Power(S1)	32	32	32	32	kW
Torque(S1)	104	25.9	30.7	12.8	Nm
Voltage	300	380	380	380	V
Current(S1)	78	63.5	31	34	A

Motor type	Induction motor	Encoder	256 teeth, m=0.4, output 1Vpp, SIN/COS
Lubricant	oil air	Rotation	right and left
Operating position	horizontal to vertical	Front seal	Protecting air flow, 1-1.5bar
Axial movement sensor	Digital Eddy-current measuring system EMU04(102)		
ATC cylinder	hydraulic pressure unclamp 80bar, air pressure clamp 5bar		
Interface	HSK A63 DIN69893, CLAMPING FORCE 18000N		
Air quality	Filtration and drying, particle size 5 microns, residual oil content 0.5mg/m ³		
Spindle Coolant	Water, flow rate 10L/min@25°C		

DETAIL J SCALE 1:1

Axial movement sensor
EMU04(102)



未注尺寸公差			主轴确认图					
注: 孔取(+), 轴取(-)	件号	名称	数量	材料	硬度	备注		
尺寸/mm								
大于	至	公差						
-	6	±0.05						
6	30	±0.10						
30	120	±0.15						
120	250	±0.25						
250	500	±0.35						
500	1000	±0.45						
1000	1600	±0.55						
1600	2000	±0.65	更改号	签字	日期	批准		

LYJSD

210XDJ24Y32

比例 重量
1:4 -