

Lable Description

No.	Function	Connection	Description
1	Water outlet	G3/8	equip with piping fittings, for hose size 12X9
2	Air inlet	G1/8	equip with piping fittings, for hose size 6X4
3	Water inlet	G3/8	equip with piping fittings, for hose size 12X9
4	Power connector	M58	
5	Thermal sensor connector	M23	

Spindle specification

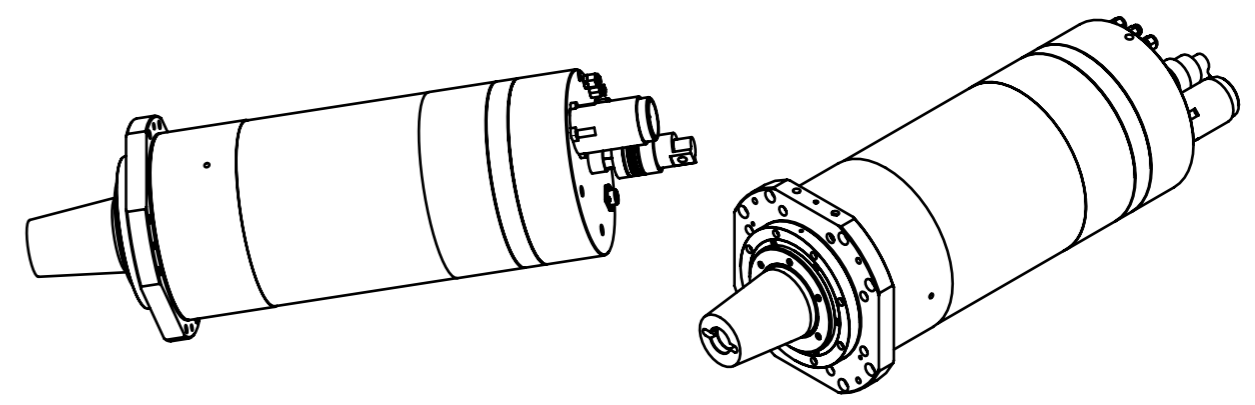
Speed	1500	4500	6000	r/min
Frequency	100	300	400	Hz
Power(S1)	32	32	20	kW
Torque(S1)	208	70	32	Nm
Voltage	320	380	380	V
Current(S1)	83	78	42	A

Thermal sensor connector

No.	Function	Connection	Description
1	PTC130	7	PT100(bearing)
2	PTC130	8	PT100(bearing)
3	PT1000(1)	9	
4	PT1000(1)	10	
5	PT1000(2)	11	
6	PT1000(2)	12	

Power Connector

No.	Function	Connection	Description
1	---	+	---
2	---	-	---
U	phase U	⊖	GND
V	phase V		
W	phase W		



未注尺寸公差	00	主轴外形图	1	数量	材料	硬度	备注
注: 孔取(+), 轴取(-)		件号	名称				
尺寸/mm							
大于	至	公差					
-	6	±0.05					
6	30	±0.10					
30	120	±0.15					
120	250	±0.25					
250	500	±0.35					
500	1000	±0.45					
1000	1600	±0.55					
1600	2000	±0.65					
更改号	签字	日期					

LYJSD 250MD06G32/C

MotorType	Induction	Rotation	Left & Right
Lubricant	Grease	Front seal	Air protection flow, 1-1.5bar
Operation direction	Vertical & Horizontal		
Central coolant	equip with rotary union		
Air quality	Solids: 5 micron, residual oil content: 0.5mg/m ³		
Spindle coolant	Rust resistant cooling water, flow rate 5L/min@25°C		